

Contactors - Standard Size

Features

- Standard non-reversing contactors
- DIN Rail Mount
- 4 Terminal Coils 9A – 80A for control application flexibility
- Snap on front mounted auxiliary contacts can be installed easily without use of tools
- IP20 Guarded

Product Images and dimensions



Certifications



Product Details

24VAC

Part No.	V	A	Detail
COS09NO24	24	9	1 x N/O
COS09NC24	24	9	1 x N/C
COS12NO24	24	12	1 x N/O
COS12NC24	24	12	1 x N/C
COS18NO24	24	18	1 x N/O
COS18NC24	24	18	1 x N/C
COS25NO24	24	25	1 x N/O
COS25NC24	24	25	1 x N/C
COS32NONC24	24	32	1 x N/O + 1 x N/C
COS40NONC24	24	40	1 x N/O + 1 x N/C
COS65NONC24	24	65	1 x N/O + 1 x N/C
COS80NONC24	24	80	1 x N/O + 1 x N/C

230VAC

Part No.	V	A	Detail
COS09NO230	230	9	1 x N/O
COS09NC230	230	9	1 x N/C
COS12NO230	230	12	1 x N/O
COS12NC230	230	12	1 x N/C
COS18NO230	230	18	1 x N/O
COS18NC230	230	18	1 x N/C
COS25NO230	230	25	1 x N/O
COS25NC230	230	25	1 x N/C
COS32NONC230	230	32	1 x N/O + 1 x N/C
COS40NONC230	230	40	1 x N/O + 1 x N/C
COS65NONC230	230	65	1 x N/O + 1 x N/C
COS80NONC230	230	80	1 x N/O + 1 x N/C

Technical Specifications

Electrical General	Units	COS09	COS12	COS18	COS25	COS32	COS40	COS65	COS80	
Rated operating frequency	Hz	50 ~ 60								
Impedance per pole	MΩ	2.35	2.35	2.41	1.65	1.28	0.95	0.85	0.86	
Power dissipation per pole										
AC - 1	W	1.47	1.47	2.46	3.34	4.6	3.42	10.4	10.4	
AC - 3	W	0.19	0.34	0.78	1.03	1.31	1.52	3.63	5.5	
Rated coil frequency		AC: 50Hz, 60Hz, 50/60Hz								
IEC RATING										
Rated Insulation Voltage, Ui	v	1000								
Rated Impulse voltage withsatnd, Uimp	KV	6	6	6	6	6	6	8	8	
Rated operating voltage, Ue	V	690					1000			
Rated thermal current										
Making Capacity	A	300	300	300	450	550	550	1000	1000	
Breaking Capacity										
ue c 400V	a	250	250	250	350	450	450	920	920	
Ue =500 V	A	250	250	250	350	450	450	920	920	
Ue =690V	a	130	130	130	170	205	780	780	780	
AC-1 Operating Current, Ie										
At 55°C	A	25.0	25.0	45.0	45.0	60.0	60.0	110.0	110.0	
At 70°C	A	20.0	20.0	32.0	32.0	48.0	48.0	88.0	88.0	
AC-3 Operating Current, Ie										
220 ~ 240 V	A	9.0	12.0	18.0	25.0	32.0	40.0	65.0	80.0	
380 ~ 400V	A	9.0	12.0	18.0	25.0	32.0	40.0	65.0	80.0	
415 ~ 440V	A	9.0	12.0	18.0	25.0	32.0	40.0	65.0	80.0	
500V	A	7.5	10.5	14.0	19.0	24.0	32.0	55.0	63.0	
660 ~ 690V	A	7.0	9.0	13.0	15.0	22.0	25.0	44.0	48.0	
AC-3 OPERATING OPERATING POWER, P _e										
220 ~ 240V	Kw	2.2	3.0	4.5	6.5	9.2	11.0	18.5	22.0	
380 ~ 400V	Kw	4.0	5.5	7.5	12.5	15.0	18.5	30.0	40.0	
415 ~ 440V	Kw	4.5	6.5	9.2	12.5	15.0	22.0	37.0	45.0	
500V	Kw	4.5	6.5	10.0	12.5	15.0	25.0	40.0	45.0	
660 ~ 690V	Kw	5.5	7.5	11.0	12.5	18.5	25.0	45.0	45.0	
AC - 4 Operating Current, Ie										
220 ~ 240V	A	7.5	10.0	15.0	20.8	26.7	33.3	54.2	66.7	
380 ~ 400V	A	7.5	10.0	15.0	20.8	26.7	33.3	54.2	66.7	
415 ~ 440V	A	7.5	10.0	15.0	20.8	26.8	33.3	54.2	66.7	
500V	A	6.3	8.8	11.7	15.8	20.0	26.7	45.8	52.5	
660 ~ 690V	A	5.8	7.5	10.8	12.5	18.3	20.8	35.7	40.0	

Technical Specifications cont...

Electrical General	Units	COS09	COS12	COS18	COS25	COS32	COS40	COS65	COS80	
AC-4 Operating Power, Pe										
220 ~ 240V	Kw	1.5	2.2	4.0	5.5	5.5	7.5	15.0	18.5	
330 ~ 400V	Kw	3.0	4.0	5.5	7.5	11.0	15.0	22.0	37.0	
415 ~440V	Kw	3.0	4.0	5.5	7.5	11.0	15.0	22.0	37.0	
550V	Kw	3.0	4.0	5.5	7.5	11.0	15.0	30.0	30.0	
660~690V	Kw	4.0	5.5	7.5	7.5	15.0	18.5	30.0	30.0	
AC-4 Operating Current Ie @200,000 Options										
220 ~ 240V	A	2.7	3.6	5.5	7.6	9.7	12.1	19.7	24.2	
380 ~ 400V	A	2.7	3.6	5.5	7.6	9.7	12.1	19.7	24.2	
415 ~ 440V	A	2.7	3.6	5.5	7.6	9.7	12.1	19.7	24.2	
500V	A	2.3	3.2	4.2	5.8	7.3	9.7	16.7	19.1	
660 ~ 690V	A	2.1	2.7	3.9	4.5	6.7	7.6	13.3	14.5	
AC-4 Operating Power Pe @ 200,000 Operathlons										
220~240V	kA	0.55	0.75	1.1	1.5	2.2	3.0	4.0	5.5	
380~400V	kA	1.1	1.5	2.2	3.0	4.0	5.5	7.5	11.0	
415 ~ 440V	kA	1.1	1.5	2.2	3.0	4.0	5.5	7.5	11.0	
500V	kA	1.1	1.5	2.2	3.0	4.0	5.5	7.5	11.0	
660 ~ 690V	kA	1.5	1.5	3.0	3.0	5.5	5.5	11.0	11.0	
Short Circuit Coordiantlon										
Short Circuit Current Rating	kA	5					10			
Type "1" gL/gG	A	50	50	63	63	100	125	200	200	
Type "2" gL/gG	A	25	35	35	50	63	80	125	125	
Rate of Short Time Current, ICW										
1 Second	A	455	455	570	630	1010	1265	2530	2530	
5 Seconds	A	205	205	254	280	450	450	1130	1130	
10 Seconds	A	144	144	180	200	320	400	800	800	
30 Seconds	A	85	85	104	115	185	230	460	460	
1 minute	A	60	60	74	80	130	165	325	325	
3 minute	A	35	35	45	50	90	100	185	185	
Maximum Electrical Switching Role										
AC - 1	Ops/hr.	1200	1200	1200	1200	1200	1200	1200	1200	
AC - 3	Ops/hr.	1200	1200	1200	1200	1200	1200	1200	1200	
AC - 4	Ops/hr.	360	360	360	360	360	200	200	200	
Electrical Endurance, AC-3 at maximum Rated 3 Phase Operating Power @ 400V	Ops/mill	1.6	1.8	1.3	1.4	1.3	1.3	1.4	1.2	

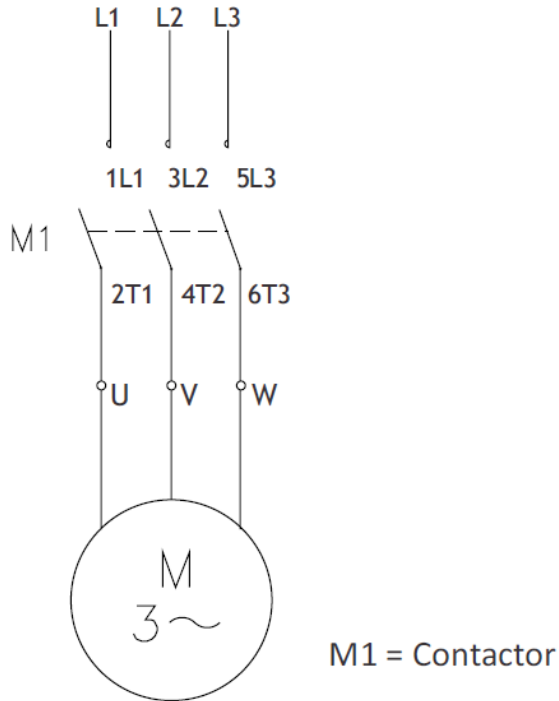
Technical Specifications cont...

Electrical General	Units	COS09	COS12	COS18	COS25	COS32	COS40	COS65	COS80	
UL Rating										
General Purpose Current Rating	A	25	25	32	32	60	60	110	110	
Rated 1 Phase Operating Current; Ie										
115V	A	9.8	13.8	16.0	24.0	34.0	34.0	56.0	80.0	
230V	A	10.0	12.0	17.0	17.0	28.0	28.0	40.0	50.0	
Rated 1 Phase Operating Power, Pe										
115V	HP	1/2	3/4	1	2	3	3	5	7 1/2	
230V	HP	1 1/2	2	3	3	5	5	10	15	
Rated 3 Phase Operating Current, Ie										
200V	A	11.0	11.0	17.5	25.3	32.2	32.2	62.1	62.1	
230V	A	9.6	9.6	15.2	22.0	28.0	42.0	54.0	68.0	
460V	A	7.6	11.0	17.0	17.0	27.0	27.0	52.0	62.0	
575V	A	9.0	11.0	17.0	17.0	27.0	27.0	52.0	62.0	
Rated 3 Phase Operating Current, Pe										
200V	HP	3.0	3.0	5.0	7 1/2	10.0	10.0	20.0	20.0	
230V	HP	3.0	3.0	5.0	7 1/2	10.0	15.0	20.0	25.0	
460V	HP	5.0	7 1/2	10.0	15.0	20.0	30.0	50.0	50.0	
575V	HP	7 1/2	10.0	15.0	15.0	25.0	25.0	50.0	60.0	
SCCRs										
Standard Fault Test										
Short Culrct Current Rating	kA	5					10			
Maxlimum Fuse Size	A	30	30	60	60	60	60	125	150	
High fault Test										
Short Culrct Current Rating	kA	100								
Maxlimum Fuse Size	A	25	25	40	40	50	60	100	125	
Electrical Endurance										
@Maximum rated 3 Phase Operating Power	Ops (mill)	1.8	2.0	1.6	1.6	1.5	1.5	1.8	1.5	
Coil Characteristics										
Rated Insulation Voltage, UI	V	1000								
Operating Limits 50Hz, 60Hz, 50/60Hz										
Operating	xUc	0.80 ~ 1.10								
Pick-up	xUc	0.60 ~ 0.80					65 ~ 0.80			
Sealed	xUc	0.35 ~ 0.55					40 ~ 0.60			

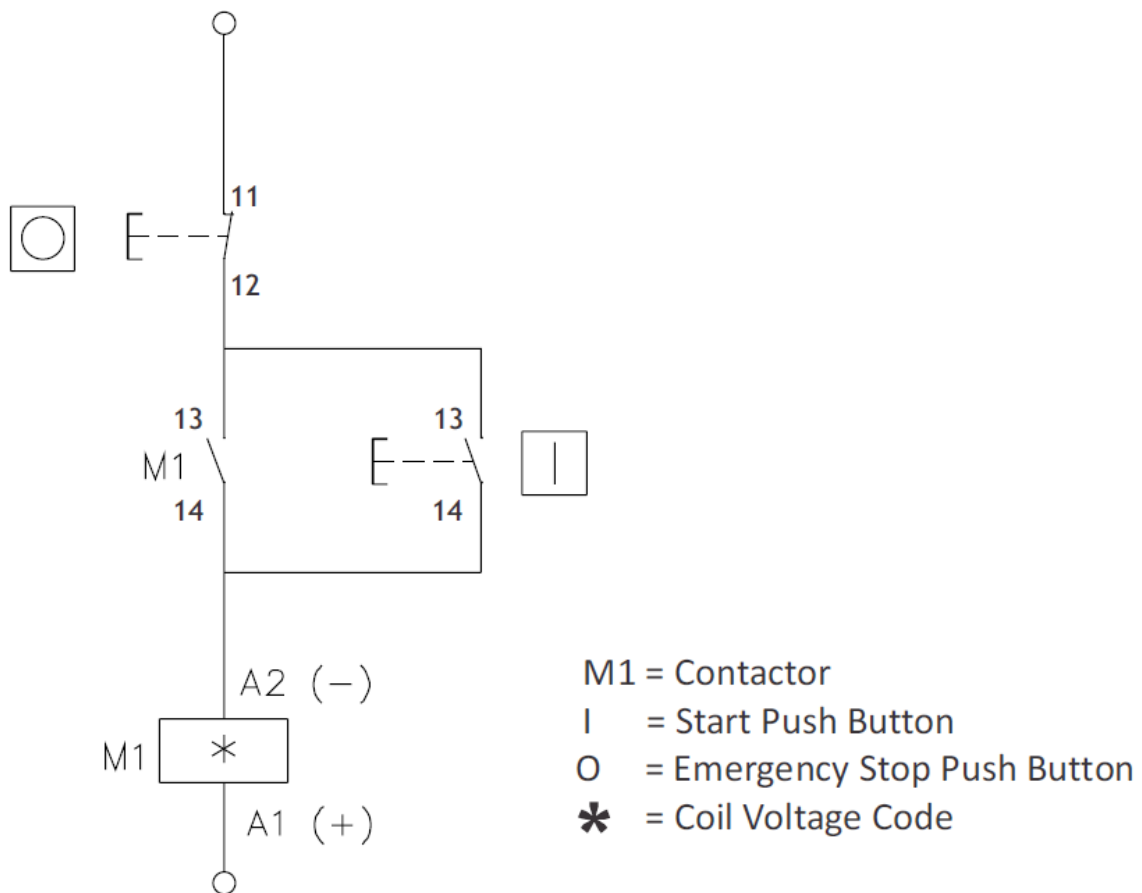
Technical Specifications cont...

		COS09	COS12	COS18	COS25	COS32	COS40	COS65	COS80
Coil Consumption 50Hz, 60Hz, 50/60Hz									
Pick Up	VA	70			98		255		
Hold - In	VA	7			9		15		
Operating Times									
AC									
Pick - up	msec	80~ 20			10 ~ 19		15 ~ 30		
Drop - out	msec	6 ~ 13			5 ~ 25		9 ~ 15		
Power Dissipation 50Hz, 60Hz, 50/60Hz	W	2.6			4.3				
Power Factor									
Closed	cos+	0.33			0.28		0.26		
Open	cos+	0.84			0.73		0.54		
Mechanical									
Mechanical Endurance	Ops (mill.)				10				
Maximum Mechanical switching rate	Ops/ hr	9000.0							
Environmental									
Ambient Operating Temperature		-25 to +55C (-13 to -131F)							
Ambient Storage Temperature		-55 to +80C (-67 to +176 F)							
Construction									
Pollution Degree	kA								
Ingress protection					3				
Main Terminals		IP20					IP20*		
Coil Terminals		IP20							
Auxiliary Terminals		IP20							
Weight	Kg	0.295	0.295	0.295	0.295	0.52	0.52	1.12	1.13
	Lbs	0.65	0.65	0.65	0.65	1.15	1.19	2.47	2.49
RoHS Compliance					Yes				
Construction Conductor cross sections									
Main Terminal capacity									
Solid stranded without end sleeve	mm2	2 X 0.5 ~ 6			2 X 1 ~ 14		2 X 1 ~ 34		
AWG Wire	AGW	2 X 20 ~ 10			2 X 18 ~ 6				
Reccomended Strip length	mm	8.5			10		13		
	in								
Tightening Torque	lb*in								
Nm									

Application Diagram

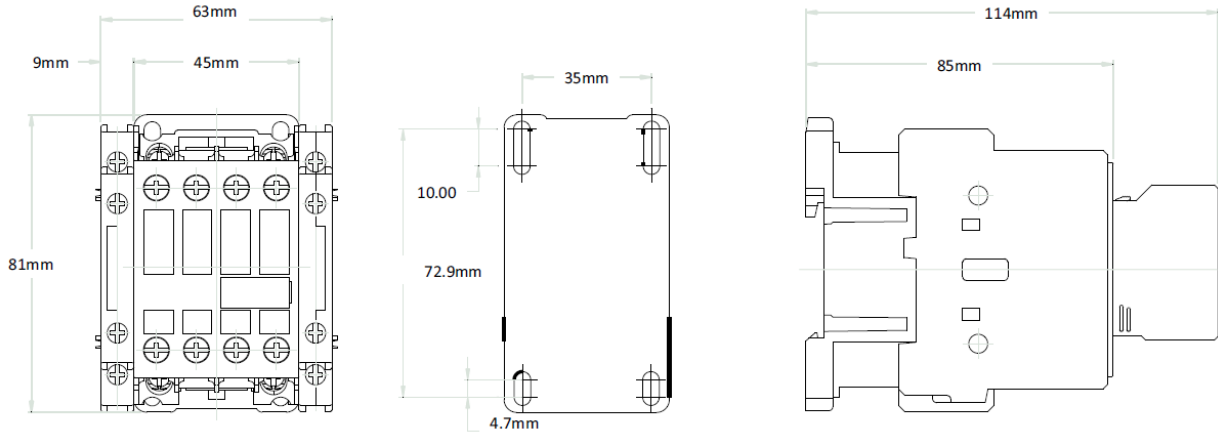


Control Circuit Diagram

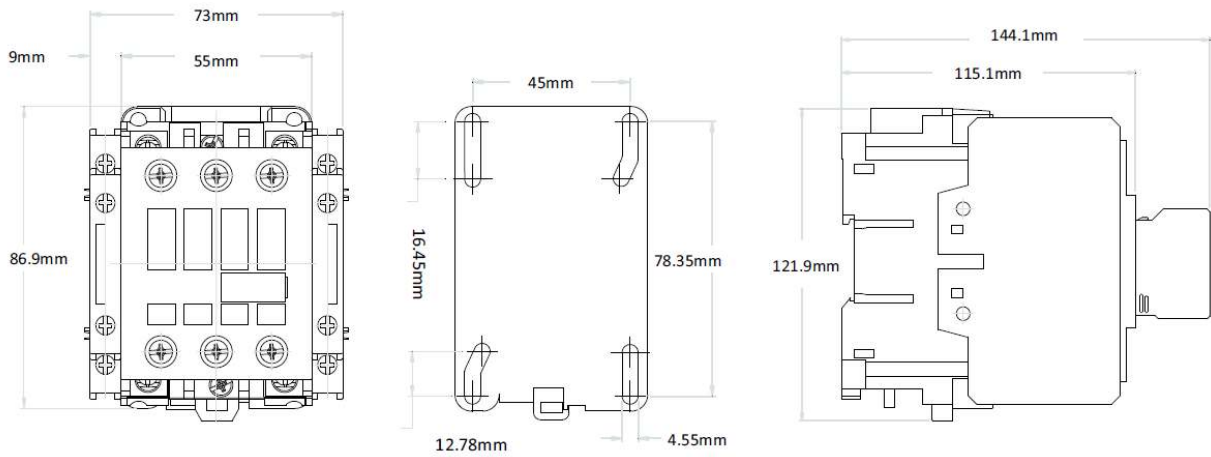


Dimensions

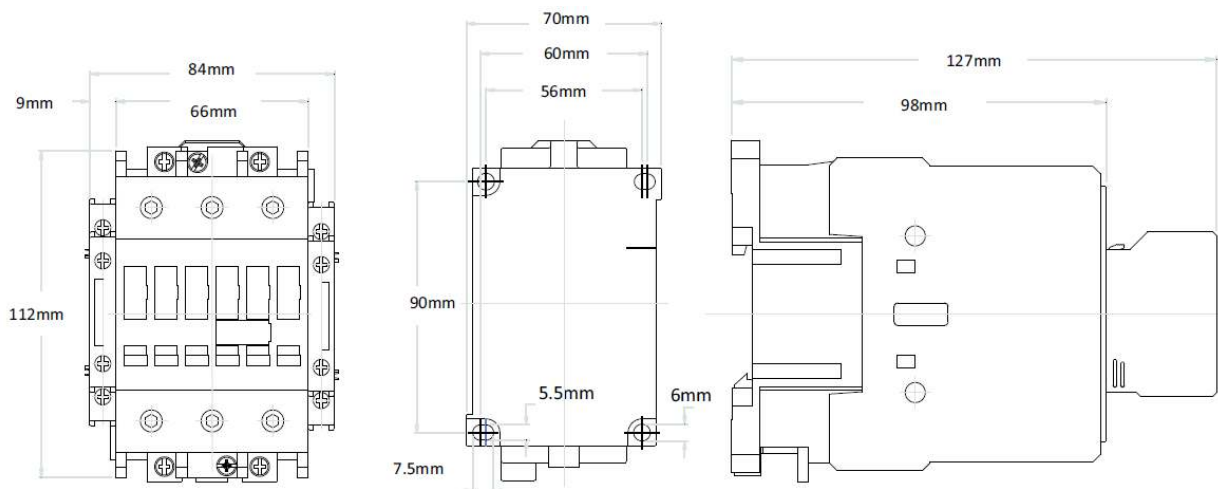
9 - 25 A



32 - 40 A



65 - 80 A



Subject to change without notice