

## Pre-Insulated Pin Terminals - Single Conductor Grip Range

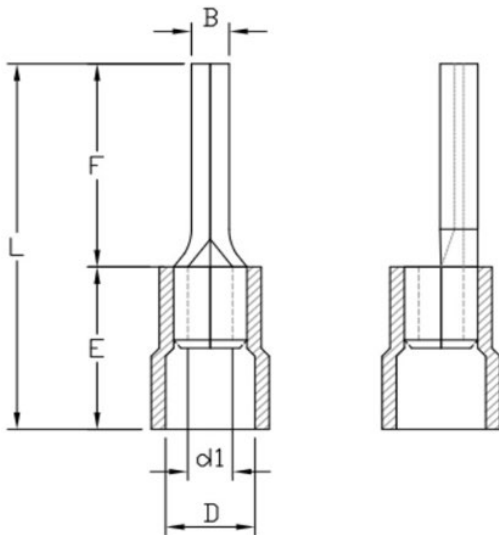
### Specifications

- Conductor Material: Copper
- Treatment: Tin plating
- Insulation Material: Vinyl
- Maximum electrical rating: 75°C 600 volts
- Packet quantity: 100pc

### Product Images



### Product Details and Dimensions



### Red

Part No:	Colour	Wire Range (mm <sup>2</sup> )	AWG	B	F	L	E	D	d1	thick
IP1-9	Red	0.5 – 1.5	22 - 16	1.9	10.5	20.5	10.0	4.1	1.7	0.75
IP1-12	Red	0.5 – 1.5	22 - 16	1.9	12.5	22.5	10.0	4.1	1.7	0.75

Measurements are in mm

**Blue**

Part No:	Colour	Wire Range (mm <sup>2</sup> )	AWG	B	F	L	E	D	d1	thick
IP2-9	Blue	1.5 – 2.5	16 - 14	1.9	10.5	20.5	10.0	4.5	2.3	0.8
IP2-12	Blue	1.5 – 2.5	16 - 14	1.9	12.5	22.5	10.0	4.5	2.3	0.8

Measurements are in mm

**Yellow**

Part No:	Colour	Wire Range (mm <sup>2</sup> )	AWG	B	F	L	E	D	d1	thick
IP5-14	Yellow	4.0 – 6.0	12 - 10	2.8	13.7	26.7	13.0	6.5	3.4	1.0

Measurements are in mm

**Maximum Electric Current**

<b>AWG</b>	22	20	18	16	14	12	10
<b>Max Amp</b>	9	12	17	18	30	35	50

Colour	Red	Blue	Yellow
Wire Range (mm <sup>2</sup> )	0.5 - 1.5	1.0 - 2.5	4.0 - 6.0
Pin Terminals	9 - 18 A	18 - 30 A	35 - 50 A

Subject to change without notice

## Pre-Insulated Pin Terminals - Twin Conductor Grip Range

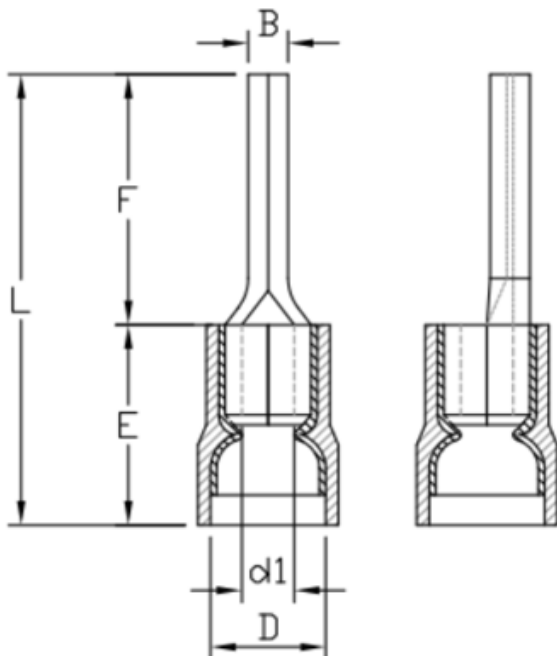
### Specifications

- Conductor Material: Copper
- Treatment: Tin plating
- Insulation Material: Vinyl
- Maximum electrical rating: 105°C 600 volts
- Reinforcement sleeve: C type sleeve
- Packet quantity: 100pc

### Product Images



### Product Details and Dimensions



### Red

Part No:	Colour	Wire Range (mm <sup>2</sup> )	AWG	B	F	L	E	D	d1	thick
IP1-9TG	Red	0.5 – 1.5	22 - 16	1.9	10.5	20.5	10.0	4.0	1.7	0.75
IP1-12TG	Red	0.5 – 1.5	22 - 16	1.9	12.5	22.5	10.0	4.0	1.7	0.75

Measurements are in mm

**Blue**

Part No:	Colour	Wire Range (mm <sup>2</sup> )	AWG	B	F	L	E	D	d1	thick
IP2-9TG	Blue	1.5 – 2.5	16 - 14	1.9	9.5	19.5	10.0	4.6	2.3	0.8
IP2-12TG	Blue	1.5 – 2.5	16 - 14	1.9	12.5	22.5	10.0	4.6	2.3	0.8

Measurements are in mm

**Yellow**

Part No:	Colour	Wire Range (mm <sup>2</sup> )	AWG	B	F	L	E	D	d1	thick
IP5-14TG	Yellow	4.0 – 6.0	12 - 10	2.8	13.7	27.2	13.5	6.3	3.4	1.0

Measurements are in mm

**Maximum Electric Current**

<b>AWG</b>	22	20	18	16	14	12	10
<b>Max Amp</b>	9	12	17	18	30	35	50

Colour	Red	Blue	Yellow
Wire Range (mm <sup>2</sup> )	0.5 - 1.5	1.0 - 2.5	4.0 - 6.0
Pin Terminals	9 - 18 A	18 - 30 A	35 - 50 A

Subject to change without notice